

SSRMON2 USERS MANUAL

SOLID STATE RELAY MONITOR

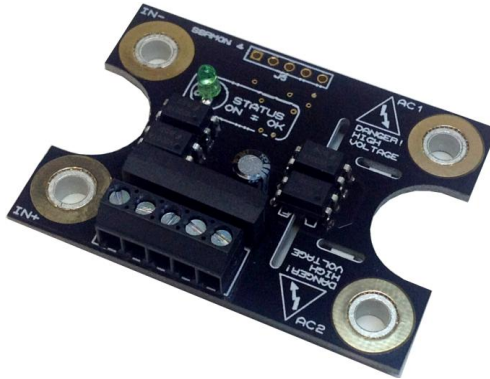


Table Of Contents

1.	Ordering Code	2
2.	Description.....	2
3.	Installation / Safety Information	2
3.1	Mounting Instructions.....	3
3.2	Wiring Instructions	3
3.3	Wiring Diagrams (examples).....	4
3.4	Limited Warranty	4
4.	Operation	5
4.1	SSRMON2 Input.....	5
4.2	Continuous Input Version Applications.....	5
4.2.1	Time Proportioned Controlled Processes	5
4.2.2	Using the SSRMON2 in On-Off Controlled Process	5
4.3	Interrupted Input Version Applications	5
4.4	Alarm Output	6
4.5	Fault Conditions.....	6
4.5.1	Continuous Input Fault Detection	6
4.5.2	Interrupted Input Fault Detection	6
4.6	Input / Output Logic	6
4.7	Status Diagram (Figure 3).....	7
5.	Electrical Specifications.....	8
6.	Mechanical Dimensions	8
7.	Contact Information.....	8

1. Ordering Code

The SSRMON2 uses one ordering code which encompasses both 12 and 24V versions with interrupted and continuous operation.

2. Description

The SSRMON2 is an SSR mounted diagnostic module that monitors the SSR for loss of load, loss of power, shorted SSR, etc. The module provides a closed relay contact that opens upon any fault condition.

3. Installation / Safety Information

Responsibility for determining suitability for use in any application / equipment lies solely on the purchaser, OEM and end user. Suitability for use in your application is determined by applicable standards such as UL, cUL and CE and the completed system involving this component should be tested to those standards.



WARNING: FIRE HAZARD!! Even quality electronic components **CAN FAIL KEEPING FULL POWER ON!** Provide a **SEPARATE (redundant) OVER TEMPERATURE SHUTDOWN DEVICE** to switch the power off if safe temperatures are exceeded.



WARNING: HIGH VOLTAGE!! This control is installed on a Solid State Relay with high voltage on it. This control must be installed in a **GROUND**ED enclosure by a qualified electrician in accordance with applicable local and national codes including NEC and other applicable codes. Provide a safety interlock on the door to remove power before gaining access to the device.

3.1 Mounting Instructions

The SSRMON2 is designed to mount in a “piggy back” configuration on any standard footprint Solid State Relay. The unit should be used with a finger-safe cover if possible to minimize electrical shock hazards.

3.2 Wiring Instructions

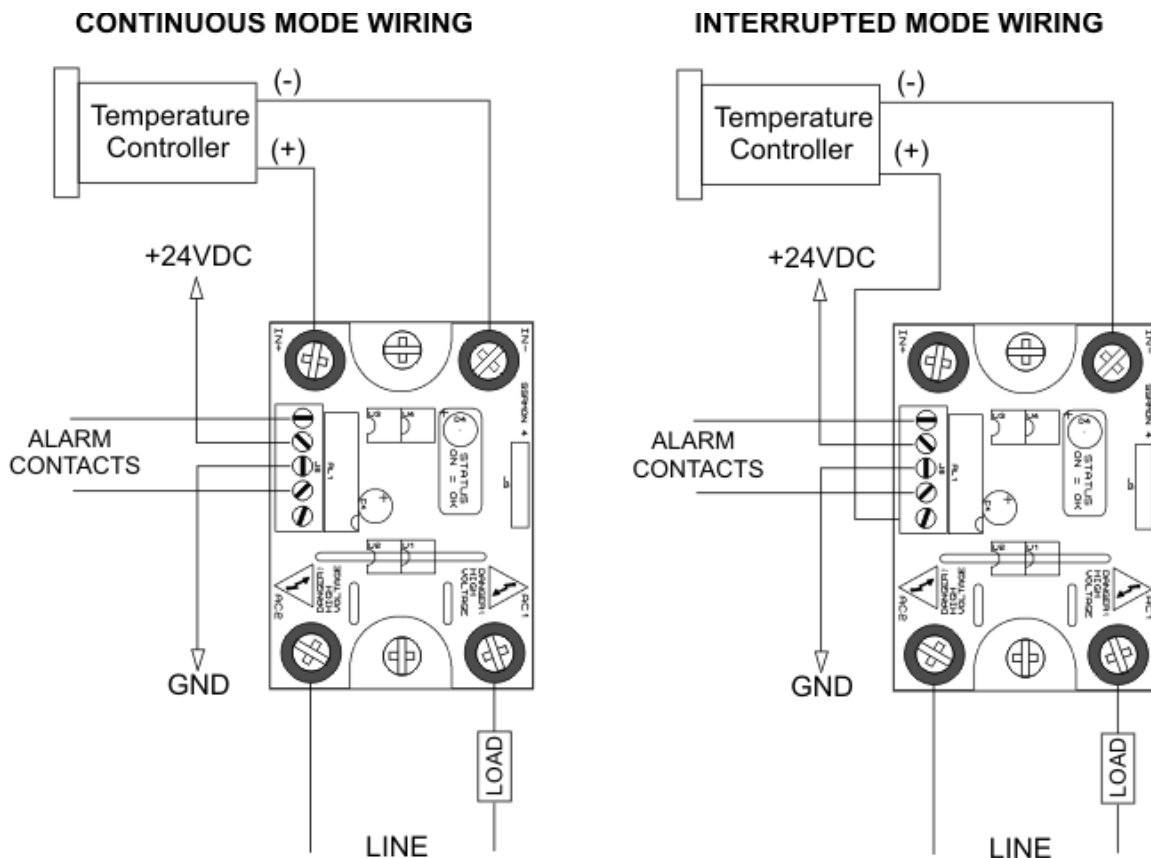
The input and output terminals of the SSR should be wired with the board installed, but as if the board is not present. In high current applications (over 40A) we recommend wiring the connection lugs under the SSRMON2 Printed Circuit Board Bushings.

All I/O on the SSRMON2 is available with screw terminal connectors for ease of harness assembly. The screw connectors can accept up to 16 AWG wire.

The power, alarm, and ground wires are wired to the screw terminal block. In the case of the interrupted input version, the control input is wired to the screw terminal connector located at the top left hand corner of the board.

The AC Load Side and Signal connections should be wired as shown in the wiring diagrams section. It is good practice to keep the AC Load Side wires away from the Control and Alarm wires to prevent any power line noise from coupling into them.

3.3 Wiring Diagrams (examples)



3.4 Limited Warranty

NuWave Technologies, Inc. warrant this product to be free from defect in workmanship and materials for a period of two (2) years from the date of purchase.

1. Should unit malfunction, return it to the factory. If defective it will be repaired or replaced at no charge.
2. There are no user serviceable parts on this unit. This warranty is void if the unit shows evidence of being tampered with or subjected to excessive heat, moisture, corrosion or other misuse / misapplication.
3. Components which wear or damage with misuse are excluded, e.g. relays.
4. NuWave Technologies, Inc. shall not be responsible for any damage or losses however caused, which may be experienced as a result of the installation or use of this product. NuWave Technologies, Inc. liability for any breach of this agreement shall not exceed the purchase price paid E. & O.E.

4. Operation

4.1 SSRMON2 Input

The SSRMON2 control input is optically isolated from both the AC output and the DC power supply. The control input has nominal input impedance of $\sim 4\text{ K}\Omega$.

4.2 Continuous Input Version Applications

The Continuous input wiring of the SSRMON2 can only detect a failure condition when the control input signal of the Solid State Relay and SSRMON2 become logic low. The control input is required to remain logic low for at least 100mS before the failure will be detected.

4.2.1 Time Proportioned Controlled Processes

The Continuous input wiring will perform well in the majority of applications where the SSR control input is being cycled periodically (time proportioned P, PI,PD, PID).

We recommend that the process controller or other device used to drive the SSRMON2 be setup to have a periodic off time of at least 100mS. This can usually be accomplished via an output percentage limit function in the temperature or process control. For example: if the cycle time on the process controller is set to 10 seconds and the output limit is set to 99% then the output will cycle off for 100mS every 10 seconds even if the controller output is on "full". As another option, some PLCs may also be programmed to periodically interrupt the SSR control signal.

4.2.2 Using the SSRMON2 in On-Off Controlled Process

The Continuous input wiring may be used in on-off control applications. The trade-off is that no alarm can be detected until the process controller or other device driving the Solid State Relay and SSRMON2 turns its control output off. In most cases if the Solid State Relay becomes shorted this will force the process value to the required setpoint causing the control output to turn off.

4.3 Interrupted Input Version Applications

We recommend the Interrupted input wiring for on-off control and switched applications where the control input to the SSR and SSRMON2 may not be cycled regularly. The interrupted input version of the SSRMON2 forces the SSR control input off for a brief period 100mS-150mS approximately every 10 seconds. This results in a duty cycle of about 99%. In most processes a forced brief off period ($\sim 100\text{mS}$) of the load is negligible (such as in an on-off temperature control application). The Performance on the control of heaters is negligible; it is approximately equivalent to having a 0.5% change in line voltage, which happens frequently everywhere.

4.4 Alarm Output

The alarm output of the SSRMON2 is a low voltage/current relay contact. Single Relay Contact 48 VDC/0.1 A max (non inductive, non capacitive). Relay contacts open upon fault or loss of board power. Relay contacts are closed when no faults are present. The alarm output may be used to drive indicators, audible alarms, PLCs, etc. The required output current should not exceed 0.1 Amps. If multiple SSRMON2s are needed in a given installation such as in a polyphase application, the output relay contacts may be wired in series to “OR” the alarms into one signal. The SSRMON2s output relays may also be wired in series with other devices normally closed alarm relays. For further applications of the SSRMON2 see Application Note AN-1.

4.5 Fault Conditions

The SSRMON2 can detect a loss of load/line power, loss of DC power supply, a loss of load, and a shorted solid state relay. The SSRMON2 can detect either half wave or full wave shorted failure conditions of the SSR.

4.5.1 Continuous Input Fault Detection

Failure Condition	When Detected
Shorted SSR	After Control Input remains logic low for 100mS or more, i.e. when an attempt is made to turn the SSR off
Open Load	After Control Input remains logic low for 100mS or more, i.e. when an attempt is made to turn the SSR off
Load or Line Power Loss	After Control Input remains logic low for 100mS or more, i.e. when an attempt is made to turn the SSR off
DC Power Supply Loss	Anytime - Independent of control Input

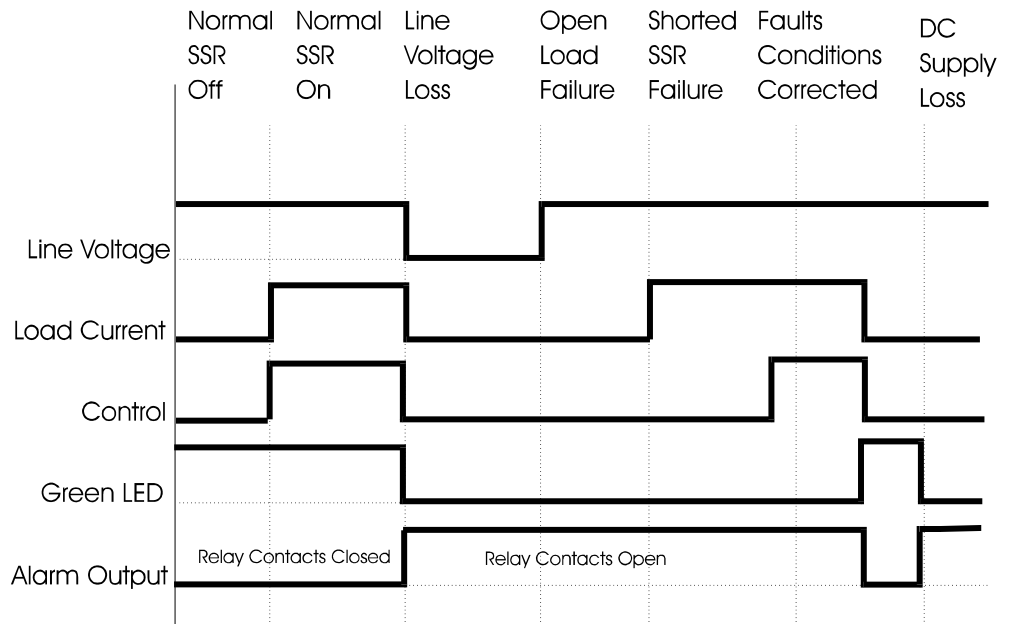
4.5.2 Interrupted Input Fault Detection

Failure Condition	When Detected
Shorted SSR	Anytime - Independent of control Input (forced off period)
Open Load	Anytime - Independent of control Input (forced off period)
Load or Line Power Loss	Anytime - Independent of control Input (forced off period)
DC Power Supply Loss	Anytime - Independent of control Input

4.6 Input / Output Logic

Once a fault condition is detected, i.e. loss of load/line power, loss of load, or a shorted solid state relay, the relay contacts are opened and held open until the fault condition is corrected and the control input of the SSRMON2 is toggled or DC power is removed and applied again. For further details see the status diagram.

4.7 Status Diagram

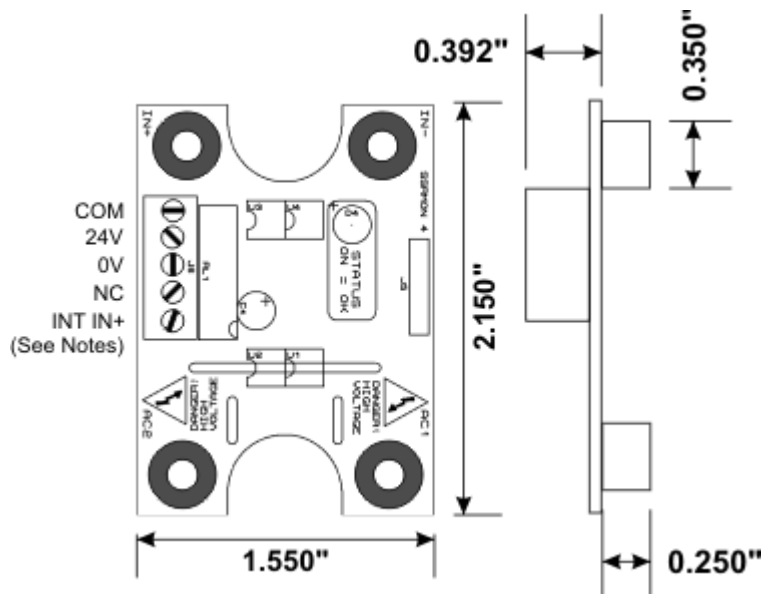


5. Electrical Specifications

SPECIFICATIONS

Monitoring Modes	Monitors SSR Output and Input for shorted SSR output, loss of line voltage, loss of load, short external to SSR, loss of DC power.
Power/Status Indication	Green LED energized when power is applied and normal operating conditions are present, i.e. status is OK.
Power Supply	10-26VDC, 50mA Max.
Input Mode	Interrupted: input to SSR and SSRMON is forced off for ~150-200mS every 10 seconds to test SSR I/O logic. Continuous: input to SSR and SSRMON is based on drive signal.
Control Input Impedance	~4 K Ω .
Control Voltage	5-26 VDC.
Alarm Output	Single Relay Contact 48 VDC/0.1 A max (non inductive/non capacitive). Contacts open upon fault or loss of board power. Contacts are closed when no faults are present.
Alarm Response Time	Typically less than 50 mS from the last control input cycle. Up to 10 seconds on Interrupted input version with control input on 100%.
AC Line Voltage	100-600 VAC 50/60 Hz.
Input/Output Isolation	4000 Vrms (25 °C for 1 second).
Off State Leakage Current	6 mA rms max across SSR output.
Off State Blocking Voltage	1200 Vpk (max 1 minute duration).
Operating Temp. Range	0 to 50 °C.

6. Mechanical Dimensions



7. Contact Information

NuWave Technologies, Inc
 866-379-3597
www.nuwaveproducts.com