

# SCR GATE DRIVER BOARD - ZERO CROSS FIRED NWZC-SCR

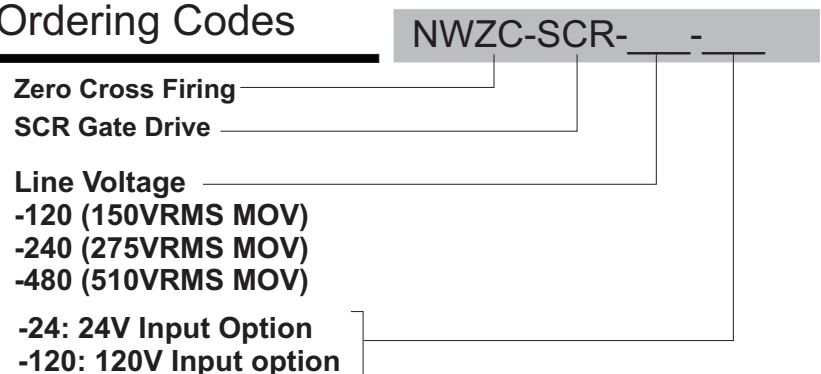


- **Direct SCR Gate driver requires no power supply**
- **Low noise zero cross firing**
- **Suitable for resistive Loads**
- **Interfaces to standard PLCs and temperature controllers**
- **50 or 60Hz operation**
- **Single phase and three phase control**
- **MOV Protection**
- **5V, 24V and 120V inputs**

## Product Description

The NWZC-SCR is suitable for driving back to back SCRs in single or polyphase resistive load applications. The NWZC-SCR in combination with back to back SCRs produces an economical high current solid state relay.

## Ordering Codes



## Input Specifications

Input Trigger Current	10mA for 5V, 24V, or 120VAC inputs
Frequency Range	47-63Hz
Response Time	<1mS for 5V input, 100mS for 24V and 120V inputs

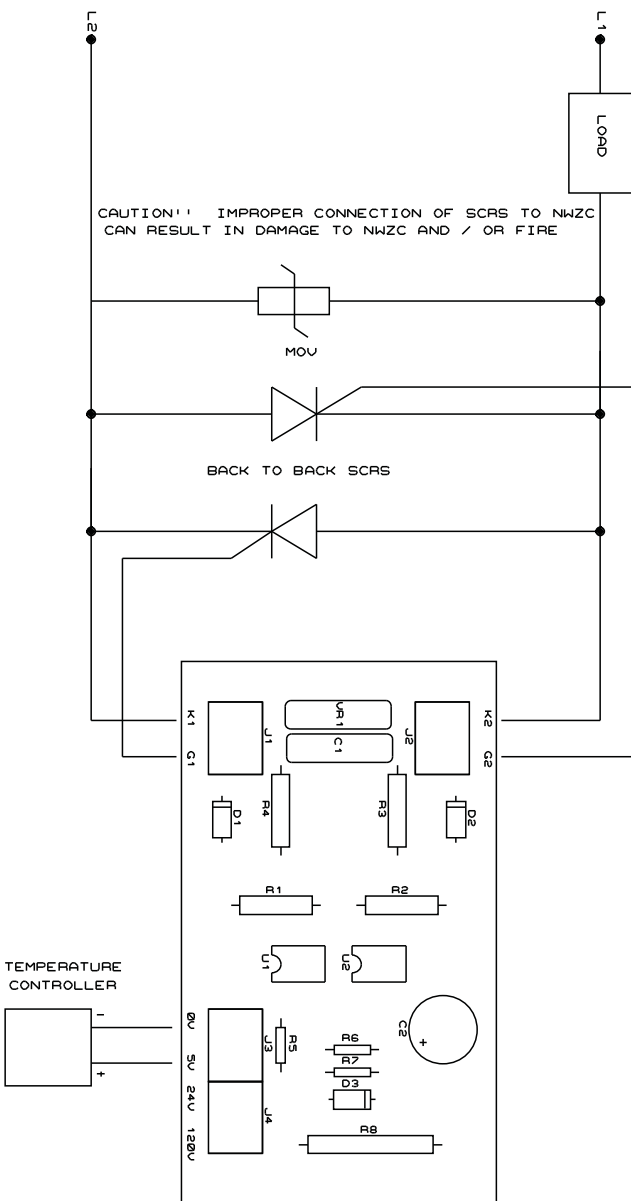
## Output Specifications

SCR Gate Drive Current	200mA Max
Critical rate of rise of OFF-state voltage	600V/uS min, 1500V/uS typ.
Max Instantaneous Peak Voltage	1000Vpeak

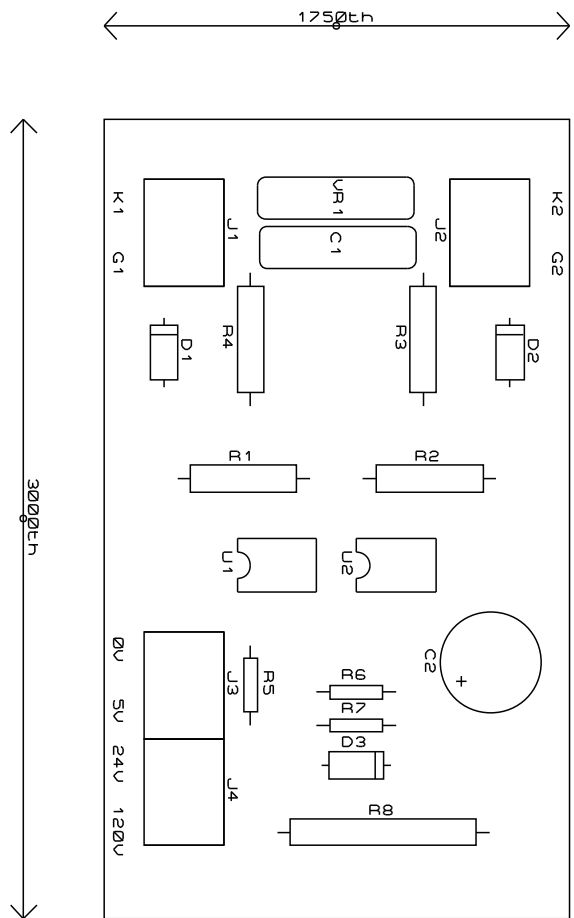
# Thermal Specifications

Operating Temperature Range	0 to 50 degC
Storage Temperature Range	-40 to 100 degC

## Wiring Diagram



## Dimensions



Dimensions in 1000ths of an inch