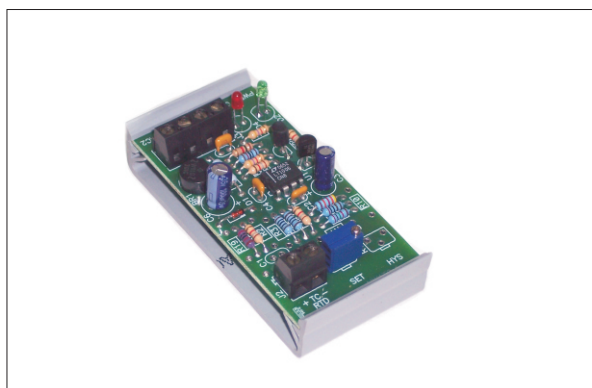


Low Cost OEM Temperature Controller NWTC-1



- **Extremely Cost Effective**
- **Super Compact Design**
- **Snap Track Mounts with Two Screws**
- **Mounts on Din Rail**
- **Direct or Reverse Acting**
- **Custom Temperature Ranges**
- **Fixed Setpoint & Hysteresis**
- **Highly-Visible Output & Power LEDs**

Product Description

The NWTC-1 is designed for high volume fixed setpoint applications. The NWTC-1 is factory set for your setpoint and hysteresis but can be adjusted in the field. This cost effective control provides an SSR drive output, accepts either thermocouple or RTD and operates from 24VAC/DC power.

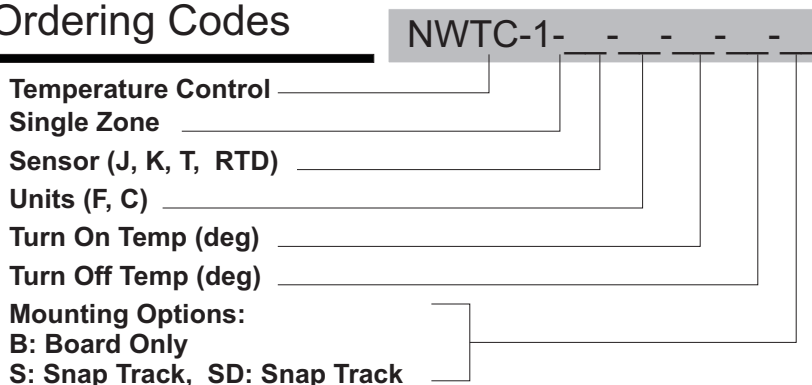
Input Specifications

Power Supply	24VAC +/-10%, 24VDC+15/-5%
Frequency Range	47-63Hz
Thermocouple Inputs	J, K, T Type Thermocouple, 100/1000 Ohm RTD
Reference junction Tracking	0.1 degC/ degC Ambient
Setpoint Accuracy	+/-2deg

Output Specifications

Output	DC SSR Drive, 10mA
Response Time	100mS
Status Indication	Green LED for Power and Red LED for Output Indication
Control Type	Direct or reverse acting ON-OFF Control

Ordering Codes



Thermal Specifications

Operating Temperature Range	0 to 60 degC
Storage Temperature Range	-40 to 100 degC

Mechanical Specifications

I/O Connectors	Screw Terminal Blocks for Power and I/O
----------------	---

Dimensions and Wiring

