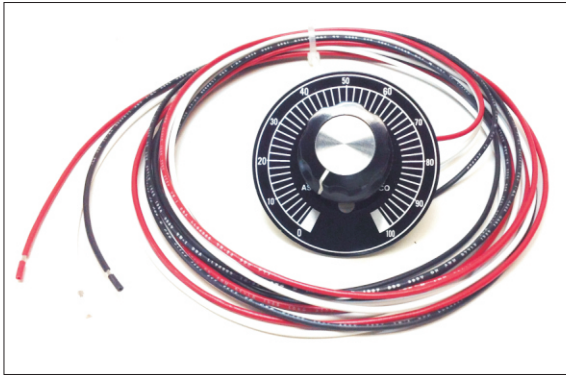


Manual Potentiometer Control for SSRMAN-1P / NWUPCM-1P

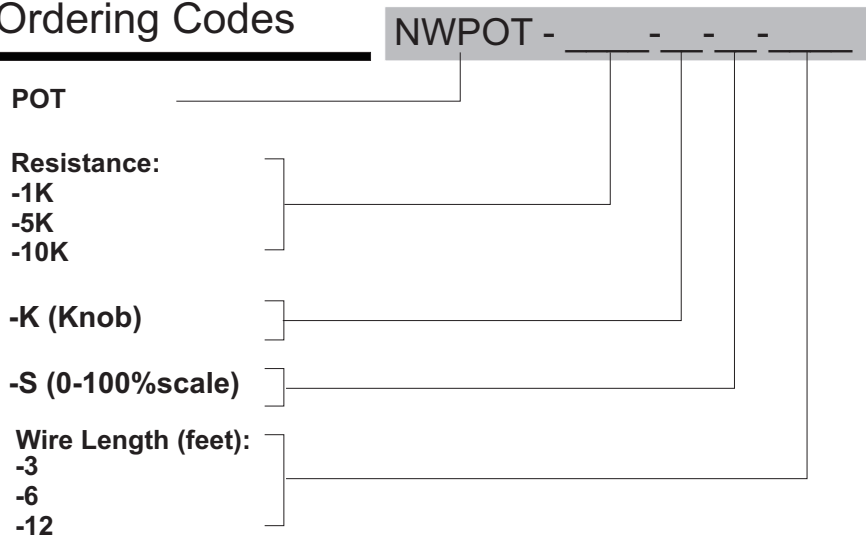


- Manual Potentiometer Control
- Linear Taper
- Panel Mount
- Low Cost

Product Description

The NWPOT is a simple 0-100% manual control that is designed to be used in conjunction with the NuWave SSRMAN-1P or NWUPCM-1P series phase controls or in many other applications. The pot is available with or without the knob and scale.

Ordering Codes



Electrical & Mechanical Specifications

Resistance Tolerance

Standard : $\pm 10\%$

Power Rating

5 watts @25°C, 4 watts @ 55°C, derated to no load at 105°C, linear taper

Voltage Rating

Bushing to Terminals:

High pot test, one minute -- 1,000 VAC
Operating maximum -- 500 VDC

Across End Terminals:

350 VDC maximum, load not to exceed wattage rating.

Linearity

Standard: 3% linearity

Rotational Angle

Mechanical Rotation:

Without switch: $300^{\circ} \pm 5^{\circ}$

Effective Rotation:

Without switch: $280^{\circ} \pm 5^{\circ}$

Rotational Torque:

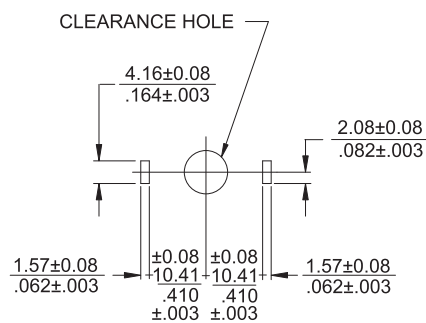
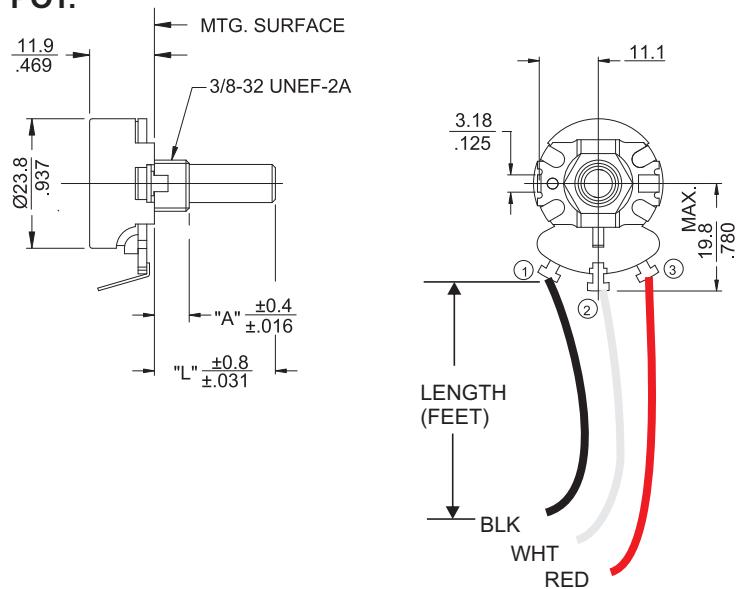
Standard: 3/4 to 6 in. oz (54 - 432 gf-cm)

Operating Temperature

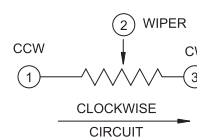
-30°C to $+85^{\circ} \text{C}$

Dimensions & Pin-Out Wiring

POT:

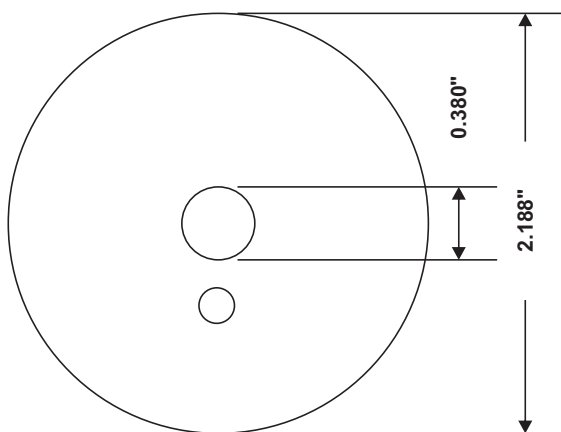


MOUNTING HOLE DETAIL



DIMENSION: $\frac{\text{mm}}{\text{inch}}$

SCALE:



KNOB:

