

THIS DRAWING IS UNPUBLISHED. RELEASED FOR PUBLICATION

© COPYRIGHT - BY TYCO ELECTRONICS CORPORATION. ALL RIGHTS RESERVED.

LOC GZ DIST 00

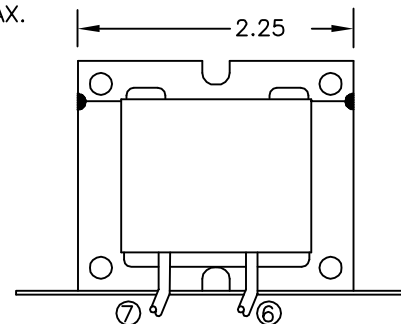
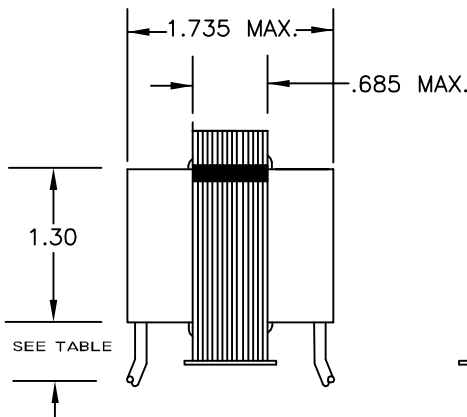
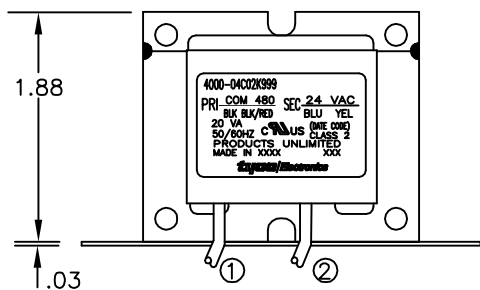
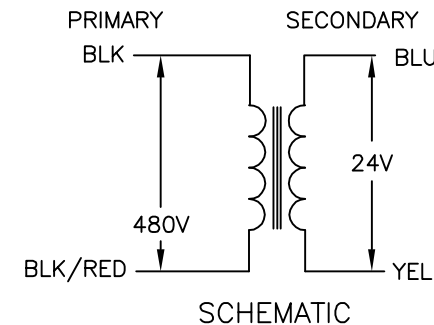
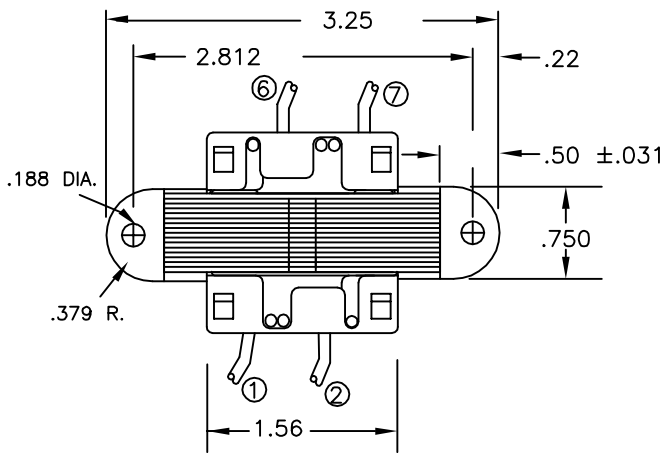
REVISIONS

P	LTR	DESCRIPTION	DATE	DWN	APVD
A		NEW FORMAT & EC07220-0054-04	02FEB04	MD	WS

ALL LEADS 18AWG-UNLESS OTHERWISE SPECIFIED			
PRIMARY			
LEAD NO.	1	2	
VOLTAGE	COM	480	
COLOR	BLK	BLK/RED	
LENGTH	12.0	12.0	
STRIP LENGTH	.50	.50	

- NOTES
- DIMENSIONS FOR REFERENCE ONLY.
 - ALL LEADS +1"/-0" TOL.
 - STRIP TOL. ±1/32
 - WINDING PROTECTION-INHERENTLY LIMITING

CERTIFICATION: UL & CUL FILE NO. E87824		
SECONDARY		
LEAD NO.	6	7
VOLTAGE	24	VAC
COLOR	BLU	YEL
LENGTH	12.0	12.0
VOLTAGE	.50	.50



CUST. NO. -	TYCO PART NUMBER 8-1611476-0
-------------	------------------------------

THIS DRAWING IS A CONTROLLED DOCUMENT.

DIMENSIONS:	TOLERANCES UNLESS OTHERWISE SPECIFIED:
INCHES	
0 PLC	± .
1 PLC	± .
2 PLC	± .
3 PLC	± .
4 PLC	± .
ANGLES	± 1'

MATERIAL -	FINISH -
------------	----------

DWN M.DAVIS 02FEB04	CHK W.SORAH 02FEB04	APVD W.SORAH 02FEB04
PRODUCT SPEC -	APPLICATION SPEC -	WEIGHT -
CUSTOMER DRAWING		

Tyco Electronics Corporation Harrisburg, Pa 17105-3608		NAME TRANSFORMER OUTLINE	
SIZE A3	CAGE CODE 00779	DRAWING NO C=4000-04C02K999	RESTRICTED TO -
SCALE NTS	SHEET 1 OF 1	REV A	