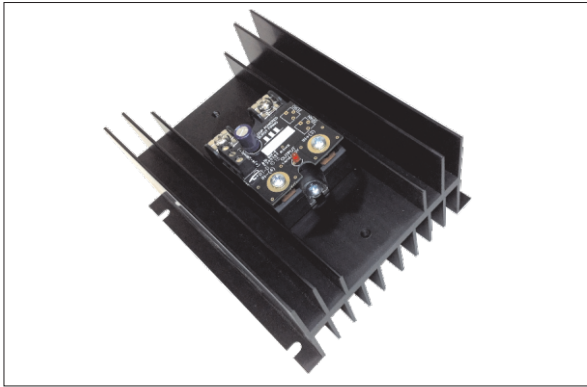


4-20 mA Time Proportioning SCR Power Control to 80A @ 40C 1LP-N Series

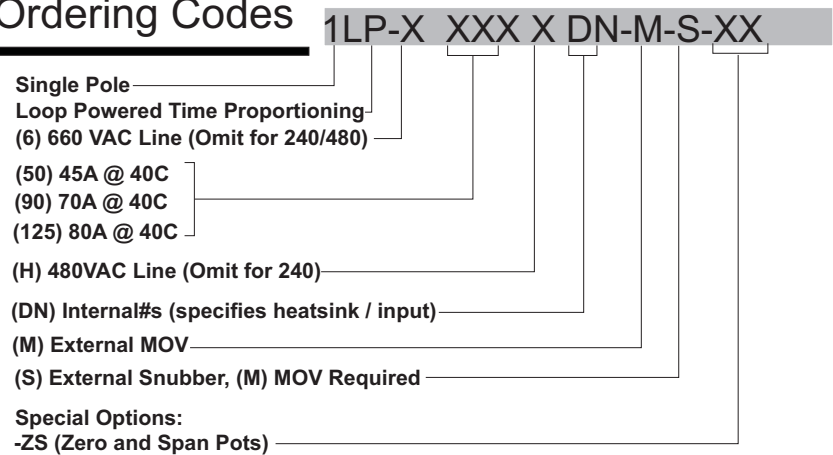


- Provides precise time proportioned 0-100% output
- 4-20mA Loop Powered – no external supply required
- Small module mounts on SSR input terminals
- Single phase and three phase control
- LED output indicator

Product Description

The 1LP-N SCR Power Controller is a compact panel mount package that provides 0-100% burst (time proportioning) control of the load. The output power is proportional to the 4-20mA control input.

Ordering Codes



Input Specifications

Command Input	4-20mA
Input (current loop) Voltage Drop	6.3VDC
Output Linearity	+/-2% of Full Scale (+/-1% with -ZS)
Cycle Time	350mS @ 50% output, greater at ends for optimal resolution
Zero Pot Adjustment	+/-2% of Full Scale
Span Pot Adjustment	+/-8% of Full Scale

Output Specifications

MODEL	1LP-50DN	1LP-50HDN	1LP-90HDN	1LP-125HDN
Operating Voltage (47-63 Hz) [Vrms]	24-280	48-530	48-530	48-530
Load Current Range [Arms]	.04-45	.04-45	.04-70	.04-80
Transient Overvoltage [Vpk]	600	1200	1200	1200
Max. Surge Current, (16.6ms) [Apk]	625	625	1200	1750
Max. On-State Voltage Drop [Vpk]	1.6	1.7	1.7	1.7
Max. I ² t for fusing (8.3mS) [A ² sec]	1620	1620	6000	12,700
Max. Off-State Leakage Current [mArms]	10	10	10	10 (without snubber)
Power Factor (Min.) with Max. Load	0.5	0.5	0.5	0.5

Thermal Specifications

Operating Temperature Range	0 to 50 degC, all Current Ratings are for 40C
Storage Temperature Range	-40 to 100 degC

Dimensions

