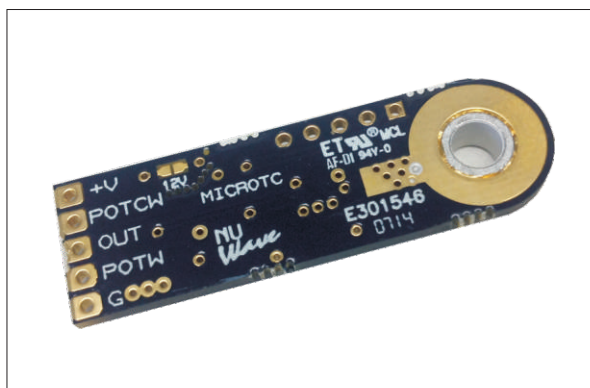


Small Temperature Controller microTC



- **Extremely Cost Effective**
- **Super Compact Design**
- **Mounts with One Screw**
- **Reverse or Direct Acting (Heat or Cool)**
- **Custom Temperature Ranges**
- **Fixed Setpoints & Hysteresis**
- **-10 to 85C with +/- 0.5degC Accuracy**
- **Freeze Protection, Temperature Control**
- **On-Off or Proportional Control**
- **Limited Two Year Warranty**

Product Description

The Micro TC is the smallest and lowest cost temperature controller in our line. The Micro TC is factory set for your setpoints and hysteresis but is available with field adjustable versions using an external potentiometer. Micro TC provides a 3 Amp MOSFET output that can be used to drive an SSR or small heater. The integral sensor eliminates the extra cost of a thermocouple or RTD.

Ordering Codes

MicroTC - . - . - . -

Setpoint Temperature (XX.X degC) *(E) for External
 Band or Hysteresis (XX.X degC)
 (O) On-Off Control OR (P) Proportional Control
 (R) Reverse or (D) Direct Acting Control
 Power Supply Voltage, (12) or (24) VDC

*For external setpoint, specify high and low limits of adjustment. For example:
 MICROTC-E(20-40) would have an adjustment range of 20-40C.

Input Specifications

| | |
|-----------------------------------|--|
| Power Supply | 12 or 24VDC +/-10%, < 1 Watt Power Consumption |
| Temperature Setpoint Range | 0 to 85 degC |
| Fixed Setpoint Accuracy | +/- 0.5 degC |
| External Setpoint Input | ~0-5VDC +/-1.5V (0-100% of Potentiometer) |
| Setpoint Input Impedance | 100K |
| External Potentiometer Resistance | 50KOhm |

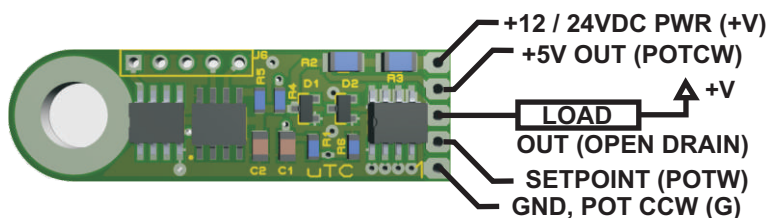
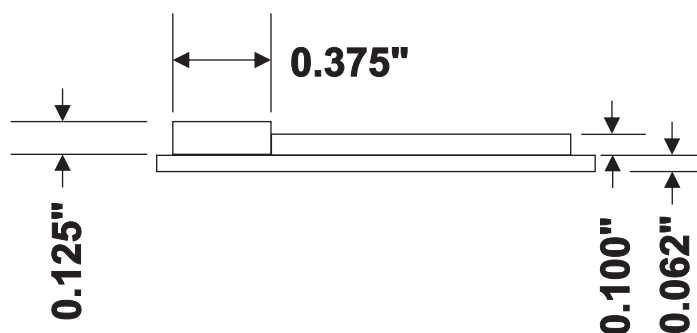
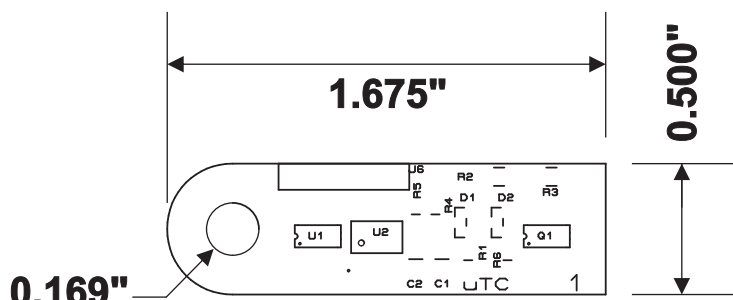
Output Specifications

| | |
|----------------|---|
| Control Output | MOSFET, Open Drain, 26V Max, Max Sink Current: 3A@25C, Ambient (Linear Derating to 1A@85C Ambient) Output in proportional mode is time proportioned (PWM) |
|----------------|---|

Thermal Specifications

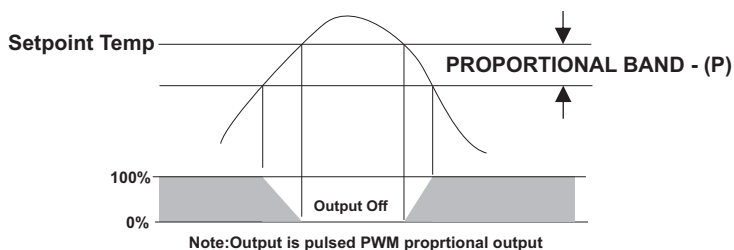
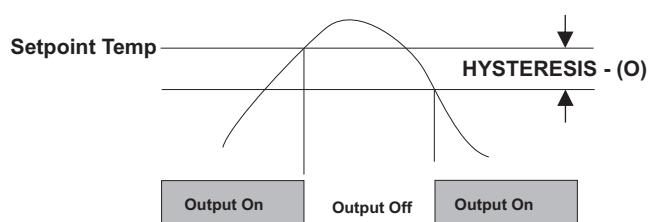
| | |
|-----------------------------|-----------------|
| Operating Temperature Range | 0 to 85 degC |
| Storage Temperature Range | -40 to 100 degC |

Dimensions & Wiring



Operation

Reverse Acting (Heating) Examples:



Direct Acting (Cooling) Examples:

